

# ADVANCE PRICING & PART NUMBERING

## ADVANCE PART NUMBERING SYSTEM

To determine a part number, select the appropriate number from the categories listed below and insert them into the corresponding digits. For example: 1344212 would be a Noryl ADVANCE 1000 with #3 enclosed impeller, 1HP, 2 Pole, 3 Phase TEFC motor, fitted with an Impermat<sup>®</sup> E9-V-C seal and SS hardware. The pump end would be 1300.212 and a pedestal mounted pump (no motor or base) would be 1306.212.

1st Digit	2nd Digit	3rd Digit	4th Digit	5th & 6th Digit	7th Digit	8th Digit	9th Digit	10th Digit
Pump Material	Impeller Type	Motor Type	Mechanical Seal	Hardware	Motor Modifiers	Mounting Types	Motor Make & Code	
<b>1st Digit - Pump Material</b>								
1	Model 1000, of Noryl <sup>®</sup>							
2	Model 1000, of Polypropylene							
3	Model 3000, of Noryl <sup>®</sup>							
4	Model 4000, of Polypropylene							
<b>2nd Digit - Impeller</b>								
1	#1 Enclosed Impeller							
2	#2 Semi-Open Impeller							
3	#3 Enclosed Impeller							
4	#4 Semi-Open Impeller							
5	#5 Enclosed Impeller							
6	#6 Semi-Open Impeller							
7	#7 Enclosed Impeller							
8	#8 Enclosed Impeller (4000 only)							
9	#9 Semi-Open Impeller (4000 only)							
Special (Refer to Factory)								
Add a "T" after # for a special trim and specify the impeller diameter								
<b>3rd Digit - Motor Horsepower</b>								
0	Pump End (if 4th digit is also 0 or pedestal unit without motor)							
1	1/4 HP 2 Pole							
2	1/2 HP 2 Pole							
3	3/4 HP 2 Pole							
4	1 HP 2 Pole							
5	1 1/2 HP 2 Pole							
6	2 HP 2 Pole							
7	3 HP 2 Pole							
8	5 HP 2 Pole							
9	Special							
0	1/4 HP 2 Pole							
1	1/2 HP 2 Pole							
2	3/4 HP 2 Pole							
3	1 HP 2 Pole							
4	1 1/2 HP 2 Pole							
5	2 HP 2 Pole							
6	3 HP 2 Pole							
7	5 HP 2 Pole							
8	Special							
9	Special							
<b>4th Digit - Motor Type</b>								
0	Pump End							
1	1 Phase ODP							
2	3 Phase ODP							
3	1 Phase TEFC							
4	3 Phase TEFC							
5	DC							
6	Pedestal Mtd. Pump End (without motor)							
7	Air Motor							
8	Special Motor							
9	1 Phase Exp. Proof							
F	3 Phase Exp. Proof							
G	1 Phase Dirty Duty							
H	3 Phase Dirty Duty							
J	1 Phase Wash Down							
K	3 Phase Wash Down							
<b>5th &amp; 6th Digit - Seal</b>								
11	18-8 Stainless Steel Buna							
12	18-8 Stainless Steel Viton <sup>®</sup>							
13	18-8 Stainless Steel with Food Grade Buna							
14	18-8 Stainless Steel Buna							
15	316 Stainless Steel Buna							
16	316SS, Buna, Carbon vs Silicon Carbide							
17	Impermat <sup>®</sup> E9-V-C Carbon Graphite (CG) on Ceramic with Viton <sup>®</sup> Trim							
21	Impermat <sup>®</sup> E9-V-C Carbon Graphite (CG) on Ceramic with Viton <sup>®</sup> Trim							
22	Impermat <sup>®</sup> E9-V-C Silicon Carbide on Ceramic with Viton <sup>®</sup> Trim							
23	Impermat <sup>®</sup> E9-V-C CG on Silicon Carbide with Viton <sup>®</sup> Trim							
24	Impermat <sup>®</sup> E9-E-C, CG on Silicon Carbide with Viton <sup>®</sup> Trim							
41	Impermat <sup>®</sup> E43-V-C Graphite on Ceramic with Viton <sup>®</sup> Trim							
42	Impermat <sup>®</sup> E43-E-C, Graphite on Ceramic with Viton <sup>®</sup> Trim							
43	Impermat <sup>®</sup> E43-V-C, Graphite on Silicon Carbide with Viton <sup>®</sup> Trim							
44	Impermat <sup>®</sup> E43-E-C, Graphite on Silicon Carbide with Viton <sup>®</sup> Trim							
51	Impermat <sup>®</sup> ESC-V-C Silicon Carbide on Silicon Carbide with Viton <sup>®</sup> Trim							
52	Impermat <sup>®</sup> ESC-E-C Silicon Carbide on Silicon Carbide with Viton <sup>®</sup> Trim							
<b>7th Digit - Hardware</b>								
2	18-8 Stainless Steel							
3	Titanium							
<b>8th Digit - Motor Modifier</b>								
B	50/60Hz							
C	60Hz, derated to 50 Hz, with sticker							
D	50Hz Only							
E	48 Frame Metal Base							
I	Instal Seal in Pump End							
J	50Hz, Class F Ins., 575V							
N	50Hz, Class F Ins., 380V							
O	60Hz, Class F Ins., 415V							
P	50Hz, Class F Ins., 115V							
Q	Custom Motor							
S	50Hz, 110/220V							
U	50Hz, 220/380V							
V	50Hz, 220/380V							
W	56C Face Motor							
X	Ignore							
Y	Standard Closed Face Motor on Base with Coupling and Guard							
<b>9th Digit - Mounting Type</b>								
A	Ext. Bracket with 1/2" SS Shaft							
B	Ext. Bracket with 1/2" SS Shaft							
D	Pedestal Mounted Pump End							
E	European Extension Bracket and Shaft							
L	Thread Lock Impeller							
P	Protective Shaft Coating							
T	Two-Speed Motor and Switch							
X	Ignore							
<b>10th Digit - Motor Make and Code</b>								
1	8 Ft. of Cord with 115V Plug							
2	8 Ft. of Cord with 230V Plug							
B	Baldor Industrial Motor							
C	A.O. Smith / Magnetek / Century							
D	Baldor Commercial Motor							
F	Franklin							
G	General Electric							
L	Leeson							
M	Marathon							
O	Loher							
R	Reliance							
T	Toshiba							
U	U.S. Motor							
W	WEG							
X	Ignore							
*The last 3 digits are used if you have a custom motor, cord, extension bracket, base mounted unit or special order.								

## ADVANCE PMU (PUMP & MOTOR UNIT) PRICES



Drive	Motor Type 3 (115/230V, 1 Phase TEFC)	Motor Type 4 (230/460V, 3 Phase TEFC)
1/4 HP 1725 rpm	Consult Factory	Consult Factory
1/2 HP 1725 rpm	Consult Factory	Consult Factory
3/4 HP 1725 rpm	Consult Factory	Consult Factory
1 HP 1725 rpm	Consult Factory	Consult Factory
1 1/2 HP 1725 rpm	Consult Factory	Consult Factory
2 HP 1725 rpm	Consult Factory	Consult Factory
3 HP 1725 rpm	Consult Factory	Consult Factory
5 HP 1725 rpm	Consult Factory	Consult Factory

Options	Description	Price Adders
11	18-8 Stainless Steel with Buna	55.78
12	18-8 Stainless Steel with Viton <sup>®</sup>	74.02
13	18-8 Stainless Steel with Food Grade Buna	55.66
14	316 Stainless Steel with Buna	73.14
15	316 Stainless Steel with Buna	74.02
16	Dry Run Seal Brass with Buna	55.66
21	Impermat <sup>®</sup> Seal (E9-V-C) Carbon Graphite on Ceramic with Viton <sup>®</sup> Trim	55.78
22	Impermat <sup>®</sup> Seal (E9-V-C) Carbon Graphite on Ceramic with Viton <sup>®</sup> Trim	55.78
23	Impermat <sup>®</sup> Seal (E9-V-C) Carbon Graphite on Silicon Carbide with Viton <sup>®</sup> Trim	107.14
24	Impermat <sup>®</sup> Seal (E9-V-C) Carbon Graphite on Silicon Carbide with Viton <sup>®</sup> Trim	79.03
41	Impermat <sup>®</sup> Seal (E43-V-C) Graphite on Ceramic with Viton <sup>®</sup> Trim	121.79
42	Impermat <sup>®</sup> Seal (E43-V-C) Graphite on Silicon Carbide with Viton <sup>®</sup> Trim	324.44
43	Impermat <sup>®</sup> Seal (E43-E-C) Graphite on Ceramic with Viton <sup>®</sup> Trim	315.14
44	Impermat <sup>®</sup> Seal (E43-E-C) Graphite on Silicon Carbide with Viton <sup>®</sup> Trim	222.18
51	Impermat <sup>®</sup> Seal (ESC-V-C) Silicon Carbide on Silicon Carbide with Viton <sup>®</sup> Trim	212.88
52	Impermat <sup>®</sup> Seal (ESC-E-C) Silicon Carbide on Silicon Carbide with Viton <sup>®</sup> Trim	404.39
MISCELLANEOUS		502.76
Motor Shaft Protection		496.56
Variable Frequency Drives (Available for Pump)		12.80
Consult Factory		Consult Factory

When ordering, please specify seal and hardware. Consult factory for ODP and DC motors and other options not listed.

ADVANCE Pumps & Motors Inc. • 325 Karen Lane • Colorado Springs, CO • 80907  
800-442-5342 (Toll Free) • 866-425-1344 (Toll Free Fax) www.advance.com

## PRODUCT PRICING PART NUMBERING

# ADVANCE PART NUMBERING SYSTEM

To determine a part number, select the appropriate number from the categories listed below and insert them into the corresponding digits. For example: 1344.212 would be a Noryl ADVANCE 1000 with #3 enclosed impeller, 1HP, 2 Pole, 3 Phase TEFC motor, fitted with an Impenatra® E9-V-C seal and SS hardware. The pump end for same would be 1300.212 and a pedestal mounted pump (no motor or base) would be 1306.212.

1st Digit	2nd Digit	3rd Digit	4th Digit.	5th & 6th Digit	7th Digit-	8th Digit	9th Digit	10th Digit
Pump Material	Impeller Type	Motor HP	Motor Type	Mechanical Seal	Hardware	Motor Modifiers	Mounting Types	Motor Make & Cord

## 1st Digit - Pump Material

- 1 = Model 1000, gf Noryl®
- 2 = Model 1000, gf Polypropylene
- 3 = Model 3000, gf Noryl®
- 4 = Model 4000, gf Polypropylene

## 2nd Digit - Impeller

- 1 = #1 Enclosed Impeller
  - 2 = #2 Enclosed Impeller
  - 2s = #2s Semi-Open Impeller
  - 3 = #3 Enclosed Impeller
  - 3s = #3s Semi-Open Impeller
  - 4 = #4 Enclosed Impeller
  - 4s = #4s Semi-Open Impeller
  - 5 = #5 Enclosed Impeller
  - 5s = #5s Semi-Open Impeller
  - 6 = #6 Enclosed Impeller
  - 6s = #6s Semi-Open Impeller
  - 7 = #7 Enclosed Impeller
  - 8 = #8 Enclosed Impeller (4000 only)
  - 8s = #8 Semi-open Impeller (4000 only)
  - 9 = Special (Refer to Factory)
- Add a "T" after # for a special trim and specify the impeller diameter

## 3rd Digit - Motor Horsepower

- 0 = Pump End (if 4th digit is also 0 or pedestal unit (w/out motor))
- 1 = 1/3 HP 2 Pole
- 2 = 1/2 HP 2 Pole
- 3 = 3/4 HP 2 Pole
- 4 = 1 HP 2 Pole
- 5 = 1 1/2 HP 2 Pole
- 6 = 2 HP 2 Pole
- 7 = 3 HP 2 Pole
- 8 = 5 HP 2 Pole
- 9 = Special
- B = 7 1/2 HP 2 Pole
- C = 10 HP 2 Pole
- D = 15 HP 2 Pole
- E = 20 HP 2 Pole
- H = 1/8 HP 4 Pole
- J = 1/6 HP 4 Pole
- K = 1/4 HP 4 Pole
- L = 1/3 HP 4 Pole
- M = 1/2 HP 4 Pole
- N = 3/4 HP 4 Pole
- P = 1 HP 4 Pole
- Q = 1 1/2 HP 4 Pole
- R = 2 HP 4 Pole
- S = 3 HP 4 Pole

## 4th Digit - Motor Type

- 0 = Pump End
- 1 = 1 Phase ODP
- 2 = 3 Phase ODP
- 3 = 1 Phase TEFC
- 4 = 3 Phase TEFC
- 5 = DC
- 6 = Pedestal Mtd. Pump End (without motor)
- 7 = Air Motor
- 9 = Special Motor
- E = 1 Phase Exp. Proof
- F = 3 Phase Exp. Proof
- G = 1 Phase Dirty Duty
- H = 3 Phase Dirty Duty
- J = 1 Phase Wash Down
- K = 3 Phase Wash Down

## 5th & 6th Digit - Seal

- 11 = 18-8 Stainless Steel Buna
- 12 = 18-8 Stainless Steel Viton®
- 13 = 18-8 Stainless Steel with Food Grade Buna
- 14 = 316 Stainless Steel Buna
- 15 = Dry Run Brass with Buna
- 16 = 316SS, Buna, Carbon vs Silicon Carbide
- 21 = Impenatra® E9-V-C, Carbon Graphite (CG) on Ceramic with Viton® Trim
- 22 = Impenatra® E9-E-C, Carbon Graphite (CG) on Ceramic with EPDM Trim
- 23 = Impenatra® E9-V-SC, CG on Silicon Carbide with Viton® Trim
- 24 = Impenatra® E9-E-SC, CG on Silicon Carbide with EPDM Trim
- 41 = Impenatra® E43-V-C, Graphite on Ceramic with Viton® Trim
- 42 = Impenatra® E43-E-C, Graphite on Ceramic with EPDM Trim
- 43 = Impenatra® E43-V-SC, Graphite on Silicon Carbide with Viton® Trim
- 44 = Impenatra® E43-E-SC, Graphite on Silicon Carbide with EPMD trim.
- 51 = Impenatra® ESC-V-SC, Silicon Carbide on Silicon Carbide with Viton® Trim
- 52 = Impenatra® ESC-E-SC, Silicon Carbide on Silicon Carbide with EPDM Trim

## 7th Digit - Hardware

- 2 = Stainless Steel
- 3 = Titanium

## 8th Digit - Motor Modifier\*

- B = 50/60Hz.
- C = 60Hz. derated to 50 Hz. with sticker
- D = 50Hz. Only
- G = 48 Frame Metal Base
- H = 56 Frame Metal Base
- I = Install Seal in Pump End
- J = 60Hz., Class F Ins., 575V
- N = 50Hz., Class F Ins., 380V
- O = 60Hz., Class F Ins., 230/460V
- P = 50Hz., Class F Ins., 415V
- Q = 60Hz., Class F Ins., 115V
- S = Custom Motor
- U = 50Hz., 110/220V
- V = 50Hz., 220/380V
- W = 56C Face Motor
- X = Ignore
- Y = Standard Closed Face Motor on Base with Coupling and Guard

## 9th Digit - Mounting Type

- A = Ext. Bracket with 5/8" SS Shaft
- B = Ext. Bracket with 7/8" SS Shaft
- D = Pedestal Mounted Pump End
- E = European Extension Bracket and Shaft
- L = Thread Lock Impeller
- P = Protective Shaft Coating
- T = Two Speed Motor and Switch
- X = Ignore

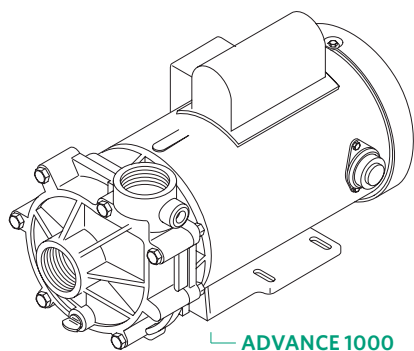
## 10th Digit - Motor Make and Cord

- 1 = 8 Ft. of Cord with 115V Plug
- 2 = 8 Ft. of Cord with 230V Plug
- B = Baldor Industrial Motor
- C = A.O. Smith / Magnetek / Century
- D = Baldor Commercial Motor
- F = Franklin
- G = General Electric
- L = Leeson
- M = Marathon
- O = Loher
- R = Reliance
- T = Toshiba
- U = U.S. Motor
- W = WEG
- X = Ignore

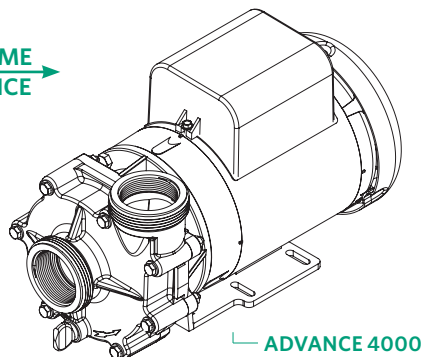
\*The last 3 digits are used if you have a custom motor, cord, extension bracket, base mounted unit or special adder.

Viton® is a registered trademark of the DuPont Company. Gasgacinch® is a registered trademark of Porter Manufacturing. Noryl® is a registered trademark of SABIC (Saudi Basic Industries Corp). Impenatra® is a registered trademark of Multi-Duti Manufacturing Inc.

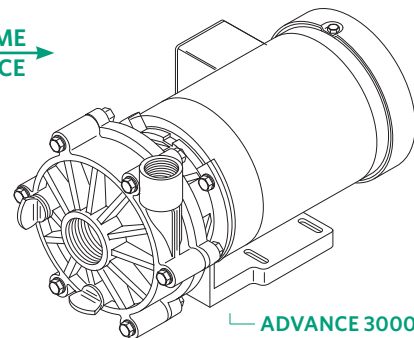
# ADVANCE PMU (PUMP & MOTOR UNIT) PRICES



← SAME PRICE →



← SAME PRICE →



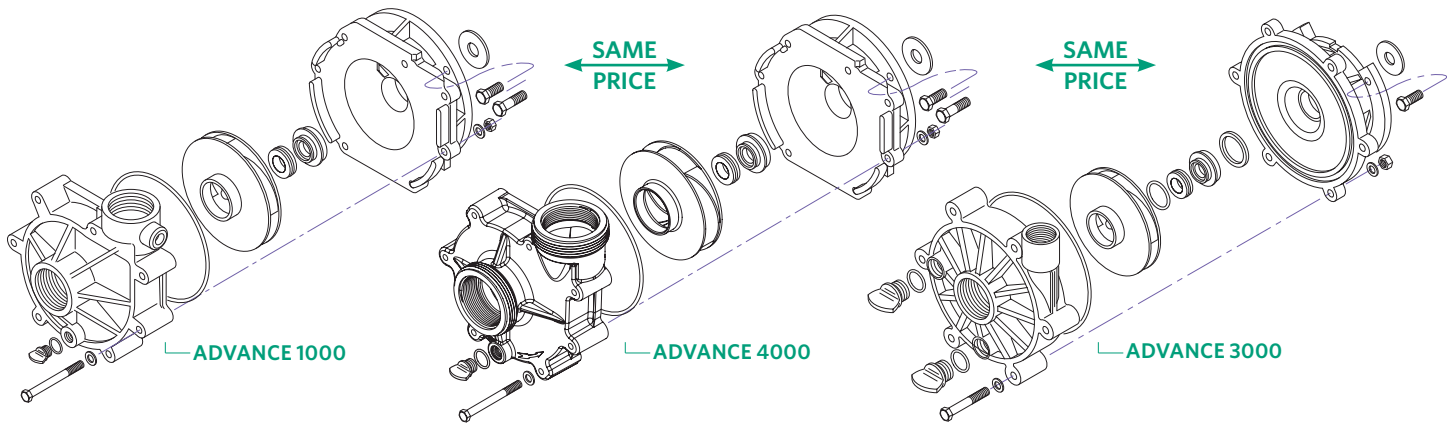
Drive	Motor Type 3 (115/230V, 1 Phase TEFC)	Motor Type 4 (230/460V, 3 Phase TEFC)
¼ HP 1725 rpm	Consult Factory	N/A
½ HP 1725 rpm	Consult Factory	Consult Factory
½ HP 3450 rpm	Consult Factory	Consult Factory
½ HP 1725 rpm	Consult Factory	Consult Factory
½ HP 3450 rpm	Consult Factory	Consult Factory
¾ HP 3450 rpm	Consult Factory	Consult Factory
1 HP 3450 rpm	Consult Factory	Consult Factory
1 ½ HP 3450 rpm	Consult Factory	Consult Factory
2 HP 3450 rpm	Consult Factory	Consult Factory
3 HP 3450 rpm	Consult Factory	Consult Factory
5 HP 3450 rpm	N/A	Consult Factory

## MECHANICAL SEAL

Options	Description	Price Adders
11	18-8 Stainless Steel with Buna	55.78
12	18-8 Stainless Steel with Viton®	74.02
13	18-8 Stainless Steel with Food Grade Buna	55.66
14	316 Stainless Steel with Buna	73.14
15	Dry Run Seal Brass with Buna	55.78
16	316 Stainless Steel with Buna and SiC mating ring	107.14
21	Impenatra® Seal (E9-V-C) Carbon Graphite on Ceramic with Viton® Trim	79.03
22	Impenatra® Seal (E9-E-C) Carbon Graphite on Ceramic with EPDM Trim	121.79
23	Impenatra® Seal (E9-V-SC) Carbon Graphite on Silicon Carbide with Viton® Trim	324.44
24	Impenatra® Seal (E9-E-SC) Carbon Graphite on Silicon Carbide with EPDM Trim	315.14
41	Impenatra® Seal (E43-V-C) Graphite on Ceramic with Viton® Trim	222.18
42	Impenatra® Seal (E43-E-C) Graphite on Ceramic with EPDM Trim	212.88
43	Impenatra® Seal (E43-V-SC) Graphite on Silicon Carbide with Viton® Trim	413.69
44	Impenatra® Seal (E43-E-SC) Graphite on Silicon Carbide with EPDM Trim	404.39
51	Impenatra® Seal (ESC-V-SC) Silicon Carbide on Silicon Carbide with Viton® Trim	502.76
52	Impenatra® Seal (ESC-E-SC) Silicon Carbide on Silicon Carbide with EPDM Trim	496.56
<b>MISCELLANEOUS</b>		
	Motor Shaft Protection	12.80
	Variable Frequency Drives (Available for Pumps)	Consult Factory

When ordering, please specify seal and hardware. Consult factory for ODP and DC motors and other options not listed.

# ADVANCE PEO (PUMP END ONLY) PRICES



PEO (Pump Ends Only) mount to 56J motors (NEMA C-Face with a threaded shaft). Rotation must be CW-HI (clockwise per Hydraulic Institute). When ordering, please specify the material of construction, impeller size (which determines pump performance) and mechanical seal (18-8SS/buna is standard).

PEO (Pump Ends Only)	List Price
1000 or 3000 Noryl and 1000 or 4000 polypropylene Pump End Only, Unassembled (Any stock impeller size)	385.79
Type 6 Pedestal Mounted Pumps 1000 and 4000 series (any impeller)	674.27
Type 6 Pedestal Mounted Pumps 3000 series (any impeller)	842.00

## MECHANICAL SEAL

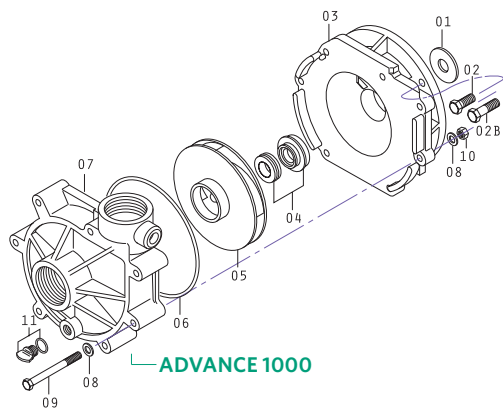
Options	Description	Price Adders
11	18-8 Stainless Steel with Buna	55.78
12	18-8 Stainless Steel with Viton®	74.02
13	18-8 Stainless Steel with Food Grade Buna	55.66
14	316 Stainless Steel with Buna	73.14
15	Dry Run Seal Brass with Buna	55.78
16	316 Stainless Steel with Buna and SiC mating ring	107.14
21	Impenatra® Seal (E9-V-C) Carbon Graphite on Ceramic with Viton® Trim	79.03
22	Impenatra® Seal (E9-E-C) Carbon Graphite on Ceramic with EPDM Trim	121.79
23	Impenatra® Seal (E9-V-SC) Carbon Graphite on Silicon Carbide with Viton® Trim	324.44
24	Impenatra® Seal (E9-E-SC) Carbon Graphite on Silicon Carbide with EPDM Trim	315.14
41	Impenatra® Seal (E43-V-C) Graphite on Ceramic with Viton® Trim	222.18
42	Impenatra® Seal (E43-E-C) Graphite on Ceramic with EPDM Trim	212.88
43	Impenatra® Seal (E43-V-SC) Graphite on Silicon Carbide with Viton® Trim	413.69
44	Impenatra® Seal (E43-E-SC) Graphite on Silicon Carbide with EPDM Trim	404.39
51	Impenatra® Seal (ESC-V-SC) Silicon Carbide on Silicon Carbide with Viton® Trim	502.76
52	Impenatra® Seal (ESC-E-SC) Silicon Carbide on Silicon Carbide with EPDM Trim	496.56

## SERVICES

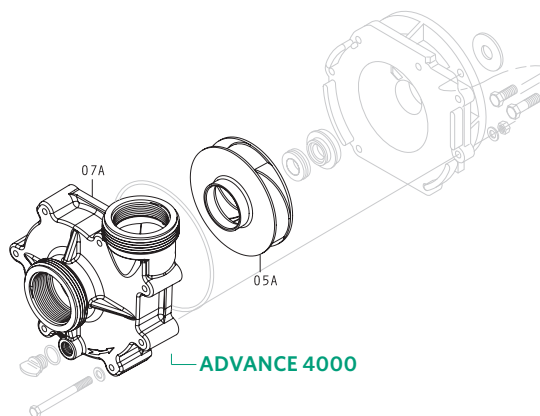
Trim Impeller to Specific Diameter	30.00
Install Seal in Pump End	11.16

**When ordering, please specify seal and hardware. Consult factory for options not listed.**

# ADVANCE 1000 & 4000 PART PRICES



ADVANCE 1000



ADVANCE 4000

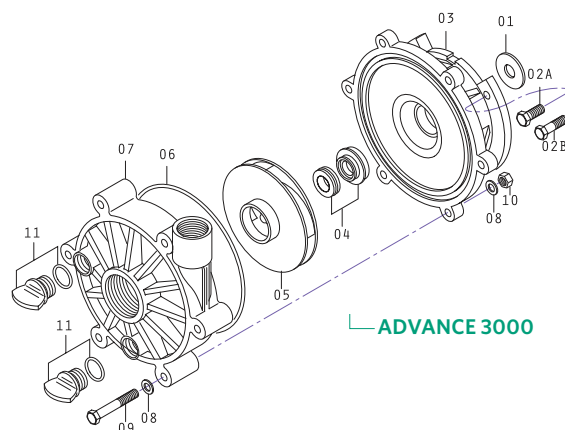
No.	Name	Description	MDM P/N	List Price Each
01	Slinger	Slinger	1000.010V	2.24
03	Bracket	Bracket - Noryl®	1000.030	161.14
		Bracket - Polypropylene	2000.030	161.14
04	Seal	18-8 Stainless Steel with Buna	1000.0411	55.78
		18-8 Stainless Steel with Viton®	1000.0412	74.02
		18-8 Stainless Steel with Food Grade Buna	1000.0413	55.66
		316 Stainless Steel with Buna	1000.0414	73.14
		Dry Run Seal Brass with Buna	1000.0415	55.78
		316 Stainless Steel with Buna and SiC mating ring	1000.0416	107.14
		Impenatra® Seal (E9-V-C)	1000.0421	134.81
		Impenatra® Seal (E9-E-C)	1000.0422	81.19
		Impenatra® Seal (E9-V-SC)	1000.0423	324.44
		Impenatra® Seal (E9-E-SC)	1000.0424	315.14
		Impenatra® Seal (E43-V-C)	1000.0441	222.18
		Impenatra® Seal (E43-E-C)	1000.0442	212.88
		Impenatra® Seal (E43-V-SC)	1000.0443	413.69
		Impenatra® Seal (E43-E-SC)	1000.0444	404.39
		Impenatra® Seal (ESC-V-SC)	1000.0451	502.76
		Impenatra® Seal (ESC-E-SC)	1000.0452	496.56
05	Impeller (1000 Series)	#1 Enclosed Noryl® Impeller	1000.051	114.35
		#2 Enclosed Noryl® Impeller	1000.052	114.35
		#2S Semi-Open Noryl® Impeller	1000.052S	106.91
		#2S Semi-Open Polypropylene Impeller	2000.052S	106.91
		#3 Enclosed Noryl® Impeller	1000.053	114.35
		#3S Semi-Open Noryl® Impeller	1000.053S	106.91
		#3S Semi-Open Polypropylene Impeller	2000.053S	106.91
		#4 Enclosed Noryl® Impeller	1000.054	114.35
		#4S Semi-Open Noryl® Impeller	1000.054S	106.91
		#4S Semi-Open Polypropylene Impeller	2000.054S	106.91
		#5 Enclosed Noryl® Impeller	1000.055	114.35
		#5S Semi-Open Noryl® Impeller	1000.055S	106.91

# ADVANCE 1000 & 4000 PART PRICES CONT'D

No.	Name	Description	MDM P/N	List Price Each
05 (Cont'd)	Impeller (1000 Series)	#5S Semi-Open Polypropylene Impeller	2000.055S	106.91
		#6 Enclosed Noryl® Impeller	1000.056	114.35
		#6S Semi-Open Noryl® Impeller	1000.056S	106.91
		#6S Semi-Open Polypropylene Impeller	2000.056S	106.91
		#7 Enclosed Noryl® Impeller	1000.057	114.35
05a	Impeller (4000 Series)	#2 Enclosed Noryl® Impeller	4000.052	114.35
		#3 Enclosed Noryl® Impeller	4000.053	114.35
		#4 Enclosed Noryl® Impeller	4000.054	114.35
		#5 Enclosed Noryl® Impeller	4000.055	114.35
		#6 Enclosed Noryl® Impeller	4000.056	114.35
		#7 Enclosed Noryl® Impeller	4000.057	114.35
		#8 Enclosed Noryl® Impeller	4000.058	114.35
06	O-Ring	Buna O-Ring	1000.061	21.08
		Food Grade Buna O-Ring	1000.061F	Consult Factory
		Viton® O-Ring	1000.062	45.88
		EPDM O-Ring	1000.063	31.00
07	Volute (1000 Series)	1000 Volute - Noryl®	1000.070	174.78
		1000 Volute - Polypropylene	2000.070	174.78
07a	Volute (4000 Series)	4000 Volute - Polypropylene	4000.070	131.09
08-10		Stainless Steel Hardware Set for Advance 1000 and 4000	1000.502	26.16
11	Drain Plug	Noryl® Drain Plug with Buna O-Ring	1000.111	11.16
		Noryl® Drain Plug with Food Grade Buna O-Ring	1000.111F	Consult Factory
		Noryl® Drain Plug with Viton® O-Ring	1000.112	13.64
		Noryl® Drain Plug with EPDM O-Ring	1000.113	12.40
		Polypropylene Drain Plug with Buna O-Ring	2000.111	9.46
		Polypropylene Drain Plug with Viton® O-Ring	2000.112	13.64
		Polypropylene Drain Plug with EPDM O-Ring	2000.113	11.48



# ADVANCE 3000 PART PRICES

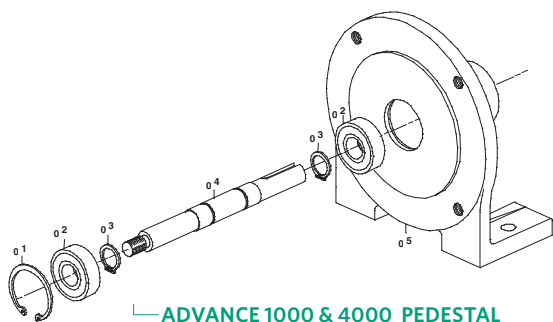


No.	Name	Description	MDM P/N	List Price Each
01	Slinger	Slinger	1000.010V	2.24
03	Bracket	Bracket - Noryl®	3000.030	208.22
04	Seal	Same Options As Shown for Advance 1000 & 4000 (See Page 4)		
05	Impeller	#1 Enclosed Noryl® Impeller	3000.051	115.34
		#2 Enclosed Noryl® Impeller	3000.052	124.56
		#3 Enclosed Noryl® Impeller	3000.053	124.56
		#4 Enclosed Noryl® Impeller	3000.054	124.56
		#5 Enclosed Noryl® Impeller	3000.055	124.56
		#6 Enclosed Noryl® Impeller	3000.056	124.56
06	O-Ring	Buna O-Ring	3000.061	28.70
		Food Grade Buna O-Ring	3000.061F	34.66
		Viton® O-Ring	3000.062	85.54
		EPDM O-Ring	3000.063	55.78
07	Volute	Volute - Noryl®	3000.070	220.62
08-10		Stainless Steel Hardware Set for Advance 3000	3000.502	26.16
11	Drain Plug	Noryl® Drain Plug with Buna O-Ring (2 required per pump)	1000.111	11.16
		Noryl® Drain Plug with Food Grade Buna O-Ring (2 required per pump)	1000.111F	Consult Factory
		Noryl® Drain Plug with Viton® O-Ring (2 required for pump)	1000.112	13.64
		Noryl® Drain Plug with EPDM O-Ring (2 required for pump)	1000.113	12.40

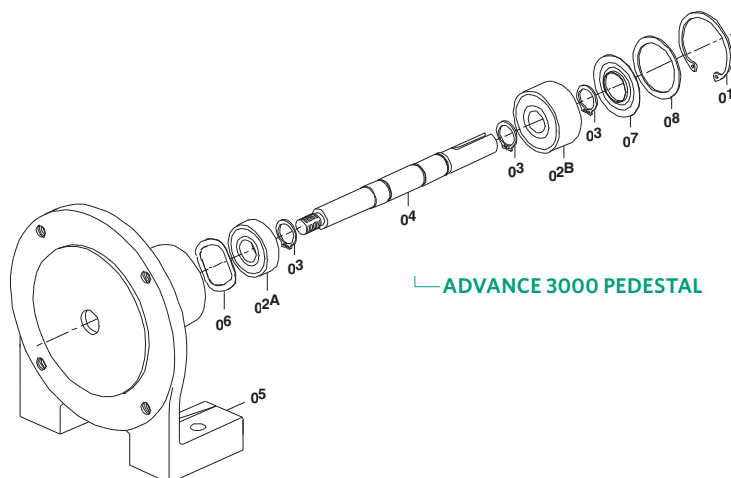
Name	Description	MDM P/N	List Price Each
Pedestal	ADVANCE 1000 & 4000 Pump Pedestal (See page 8 for individual parts)	1000.401	332.00
	ADVANCE 3000 Pump Pedestal (see page 8 for individual parts)	3000.401	500.00
Sealant	4 oz. can of Gasegacinch® (for shaft seal installation)	1000.454	19.00
Hardware	Stainless Steel Hardware Set for ADVANCE 1000 & 4000	1000.502	26.16
	Stainless Steel Hardware Set for ADVANCE 3000	3000.502	26.16
Extension Kit	Extension Kit for NEMA 56C motor (C-face, 5/8" keyed shaft )	1000.601	200.00
	Extension Kit for NEMA 143TC-145TC motor (C-face, 7/8" keyed shaft )	1000.602	200.00
Motor Bases	Plastic Motor Base for ADVANCE 1000 & 4000 - for 48 band (5 1/2" diameter) motor	1000.750	13.63
	Plastic Motor Base for ADVANCE 1000 & 4000 - for 56 band (6 1/2" diameter) motor	1000.751	13.63
	Steel Motor Base for ADVANCE 1000 & 4000 - for 48 band (5 1/2" diameter) motor	1000.754	11.16
	Steel Motor Base for ADVANCE 1000 & 4000 - for 56 band (6 1/2" diameter) motor	1000.755	11.16
	Plastic Motor Base for ADVANCE 3000 - for 48 band (5 1/2" diameter) motor	3000.750	14.87
	Plastic Motor Base for ADVANCE 3000 - for 56 band (6 1/2" diameter) motor	3000.751	14.87
Special Tools	Seal head installation tool	1000.803	89.43
Miscellaneous	Thread Lock Impeller to Motor Shaft (standard on all 3 phase units)		No Charge
	Mount Pedestal Pump to Baseplate (includes molded fiberglass baseplate, guard and coupling).		303.67
	Trim Impeller for Specific Performance		30.00
	Install Seal in Pump End (for wet end kits only)		11.16
	Electrical cord - 12 Gage 3 wire (water resistant)		3.50/foot
	Install 115V Plug on Electrical cord		13.02
	Install 230V Plug on Electrical cord		15.50



# ADVANCE PEDESTALS & PARTS



ADVANCE 1000 & 4000 PEDESTAL



ADVANCE 3000 PEDESTAL

## ADVANCE 1000 & 4000 PEDESTAL AND PARTS

No.	Description	MDM P/N	List Price
	Complete Assembled Pedestal (comes epoxy-coated and with stainless steel shaft)	1000.401	332.00
01	Primary Stainless Steel Snap Ring	1000.401-01	23.56
02	Sealed Bearing #203 (two required)	1000.401-02	24.18
03	Secondary snap Ring (two required)	1000.401-03	2.48
04	Stainless Steel Shaft	1000.401-041	130.14
05	Pedestal Body (grey iron epoxy-coated)	1000.401-501	173.52

## ADVANCE 3000 PEDESTAL AND PARTS

No.	Description	MDM P/N	List Price
	Complete Assembled Pedestal (comes epoxy-coated and with stainless steel shaft)	3000.401	500.00
01	Primary Stainless Steel Snap Ring	3000.401-01	21.82
02A	Front Bearing	3000.401-02A	24.18
02B	Rear Bearing	3000.401-02B	86.76
03	Secondary Snap Ring (three required)	3000.401-03	2.48
04	Stainless Steel Shaft	3000.401-041	154.93
05	Pedestal Body (grey iron epoxy-coated)	3000.401-501	371.84
06	Wave washer	3000.401-06	11.76
07	Nilos Ring	3000.401-07	21.52
08	Washer	3000.401-08	13.24

