

GENESYS Part Numbering

To determine a part number, select the appropriate number from the categories listed below and insert them into the corresponding digits. For example: G1T-01N-12 would be a Genesys 2X3X6 (Material Polyvinyl Ester), trimmed impeller, ¼ HP, Single Phase, TEFC, Seal: Carbon on Ceramic SS316, Viton® trim.

1st digit - Pump Family

G = Genesys

2nd digit - Pump size and material

1 = 2" discharge x 3" suction x 6" nominal impeller diameter, glass-fiber reinforced Vinyl Ester, Noryl® impeller.

3rd digit - Impeller Trim

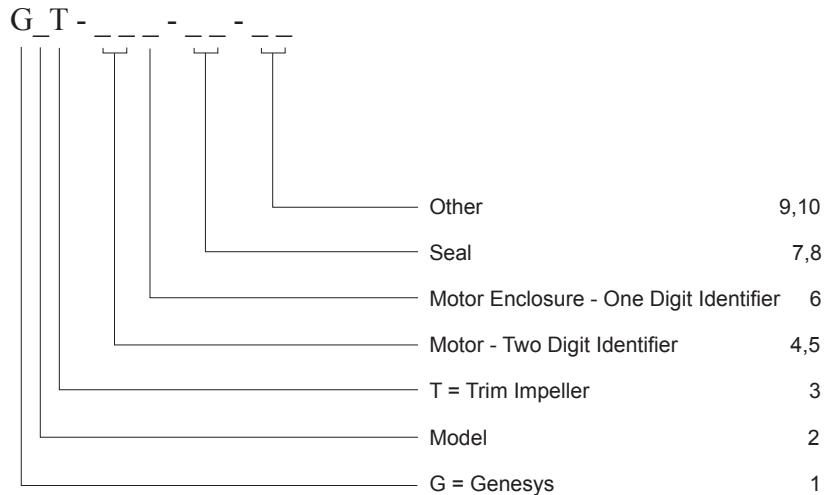
X = full diameter impeller
T = Trimmed impeller (specify trim on order)

4th and 5th digits - Motor Identifier

Motor ID	Hp	RPM	Phase	Voltage
01	3/4	1200	1	115/230
02	1	1200	1	115/230
03	1	1800	1	115/230
04	1 1/2	1800	1	115/230
05	2	1800	1	115/230
06	3	1800	1	115/230
07	5	1800	1	230
08	5	3600	1	230
09	7 1/2	1800	1	230
10	7 1/2	3600	1	230
11	10	1800	1	230
12	10	3600	1	230

30	3/4	1200	3	230/460
31	1	1200	3	230/460
32	1	1800	3	230/460
33	1 1/2	1800	3	230/460
34	2	1800	3	230/460
35	3	1800	3	230/460
36	5	1800	3	230/460
37	5	3600	3	230/460
38	7 1/2	1800	3	230/460
39	7 1/2	3600	3	230/460
40	10	1800	3	230/460
41	10	3600	3	230/460
42	15	3600	3	230/460

AO	Pump End Only, No Installed Seal
AI	Pump End Only, Installed Seal
AP	Pedestal Mount, Installed Seal



6th digit - Motor Enclosure

N = TEFC
O = ODP
E = Exp Proof
W = Wash Down

7th and 8th digits - Seal

Seal ID	Description
12	Carbon on Ceramic, SS316, Viton® trim
14	Carbon on Ceramic, SS316, Buna trim

Non-Metallic Impenatra Seals:

Seal ID	Seal Head Asm	Seal Seat	Trim
21	Resin-impregnated Carbon Graphite	Ceramic	Viton®
22	Resin-impregnated Carbon Graphite	Ceramic	EPDM
23	Resin impregnated Carbon Graphite	Silicon Carbide	Viton®
24	Resin-impregnated Carbon Graphite	Silicon Carbide	EPDM
41	Graphite	Ceramic	Viton®
42	Graphite	Ceramic	EPDM
43	Graphite	Silicon Carbide	Viton®
44	Graphite	Silicon Carbide	EPDM
51	Silicon Carbide	Silicon Carbide	Viton®
52	Silicon Carbide	Silicon Carbide	EPDM

9th and 10th digits - Other

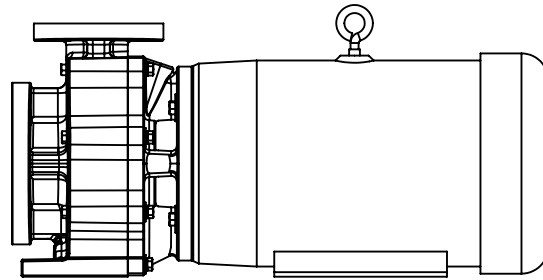
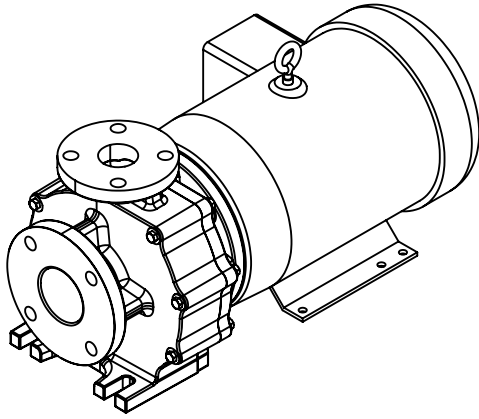
P = Shaft Protection



Corrosion-resistant, non-metallic pumps. © 2009 MDM INC.



PMU (PUMP & MOTOR UNIT) PRICES



Motor ID	Hp	RPM	Phase	Voltage	TEFC	ODP
01	3/4	1200	1	115/230	\$1,946.62	N/A
02	1	1200	1	115/230	<i>Consult Factory</i>	<i>Consult Factory</i>
03	1	1800	1	115/230	\$2,299.29	\$2,430.47
04	1 1/2	1800	1	115/230	\$2,391.26	\$2,533.87
05	2	1800	1	115/230	\$2,742.64	\$2,615.55
06	3	1800	1	115/230	\$3,265.34	\$3,149.46
07	5	1800	1	230	\$3,388.00	\$3,596.69
08	5	3600	1	230	\$3,389.18	\$3,572.54
09	7 1/2	1800	1	230	\$3,867.98	\$3,995.80
10	7 1/2	3600	1	230	\$3,679.04	\$3,904.68
11	10	1800	1	230	\$4,403.25	\$4,878.77
12	10	3600	1	230	\$4,406.83	\$4,753.83
30	3/4	1200	3	230/460	\$2,651.99	<i>Consult Factory</i>
31	1	1200	3	230/460	\$2,757.77	<i>Consult Factory</i>
32	1	1800	3	230/460	\$2,405.41	\$2,368.77
33	1 1/2	1800	3	230/460	\$2,428.90	\$2,363.14
34	2	1800	3	230/460	\$2,443.49	\$2,418.12
35	3	1800	3	230/460	\$2,853.13	\$2,780.49
36	5	1800	3	230/460	\$3,032.12	\$2,909.06
37	5	3600	3	230/460	\$3,167.33	\$2,917.54
38	7 1/2	1800	3	230/460	\$3,225.50	\$3,168.19
39	7 1/2	3600	3	230/460	\$3,236.77	\$3,069.56
40	10	1800	3	230/460	\$3,947.83	\$3,812.56
41	10	3600	3	230/460	\$4,039.89	\$3,823.83
42	15	3600	3	230/460	\$4,547.78	\$4,245.42

Description	Price Adders
Pedestal Mounted Pump	\$1,801.27

PMU (PUMP & MOTOR UNIT) PRICES CONT.

Seal ID	Description	Price Adders
12	Carbon on Ceramic, SS316, Viton® trim	\$26.12
14	Carbon on Ceramic, SS316, Buna trim	Default

Non-metallic Impenatra Seals

Seal ID	Seal Head Asm	Seal Seat	Trim	Price Adders
21	Resin-impregnated Carbon Graphite	Ceramic	Viton®	\$172.42
22	Resin-impregnated Carbon Graphite	Ceramic	EPDM	\$196.64
23	Resin impregnated Carbon Graphite	Silicon Carbide	Viton®	\$281.36
24	Resin-impregnated Carbon Graphite	Silicon Carbide	EPDM	\$342.12
41	Graphite	Ceramic	Viton®	\$249.09
42	Graphite	Ceramic	EPDM	\$233.18
43	Graphite	Silicon Carbide	Viton®	\$358.03
44	Graphite	Silicon Carbide	EPDM	\$342.12
51	Silicon Carbide	Silicon Carbide	Viton®	\$393.76
52	Silicon Carbide	Silicon Carbide	EPDM	\$377.91

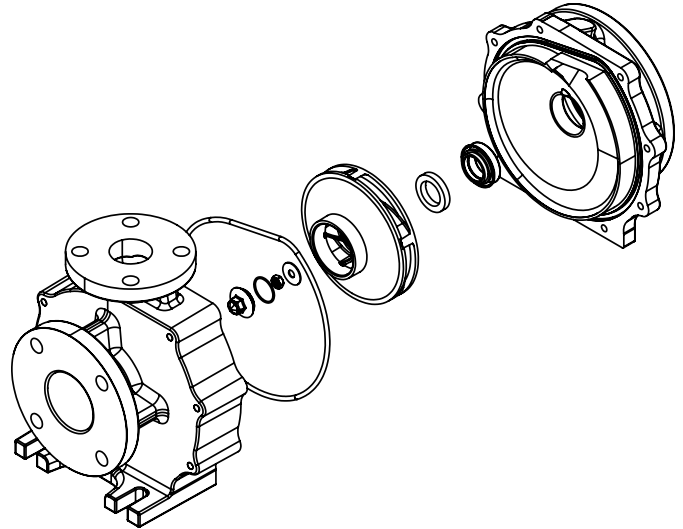
Services

Description	Price Adders
Trim Impeller to Specific Diameter	\$22.50
Motor shaft protection	\$10.50
Install Seal Flush Port	\$150.00



PEO (PUMP END ONLY) PRICES

PEO (Pump Ends Only) mount to 143JM - 215JM motors with 7/8" dia keyed shafts. Rotation must be CW-HI (clockwise per Hydraulic Institute). When ordering, please specify the impeller size (which determines pump performance) and mechanical seal (Carbon on Ceramic / SS316 with Buna trim is standard).



PEO (PUMP ENDS ONLY)	List Price
Vinyl Ester Genesys 2X3X6 Pump end only, Unassembled w/ 6.625 DIA impeller	\$1,524.72

Seal ID	Description	Price Adders
12	Carbon on Ceramic, SS316, Viton® trim	\$26.12
14	Carbon on Ceramic, SS316, Buna trim	Default

Non-metallic Impenatra Seals

Seal ID	Seal Head Asm	Seal Seat	Trim	Price Adders
21	Resin-impregnated Carbon Graphite	Ceramic	Viton®	\$172.42
22	Resin-impregnated Carbon Graphite	Ceramic	EPDM	\$196.64
23	Resin impregnated Carbon Graphite	Silicon Carbide	Viton®	\$281.36
24	Resin-impregnated Carbon Graphite	Silicon Carbide	EPDM	\$342.12
41	Graphite	Ceramic	Viton®	\$249.09
42	Graphite	Ceramic	EPDM	\$233.18
43	Graphite	Silicon Carbide	Viton®	\$358.03
44	Graphite	Silicon Carbide	EPDM	\$342.12
51	Silicon Carbide	Silicon Carbide	Viton®	\$393.76
52	Silicon Carbide	Silicon Carbide	EPDM	\$377.91

Services

Description	Price Adders
Trim Impeller to Specific Diameter	\$22.50
Install Seal in Pump End	\$11.50
Motor shaft protection	\$10.50
Install Seal Flush Port	\$150.00

