

SEQUENCE® PumPaq



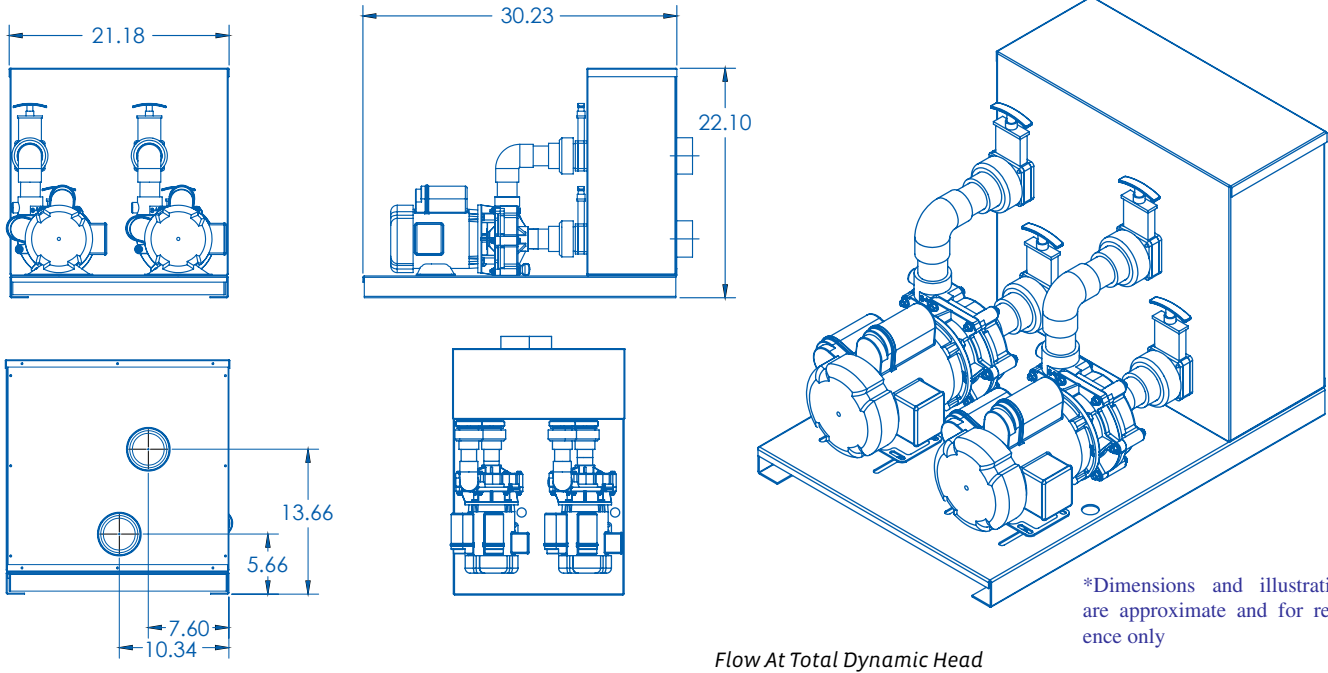
■ PumPaq 11000PWR72-PQ

The PumPaq by Sequence® - a multi-pump package for applications between 5,000 and 15,000 GPH. An engineered system solution that reduces installation cost, the PumPaq is a high quality manifold for parallel pump configurations. When higher flow rates are required, two low-speed pumps operating in parallel are often more efficient than one high-speed pump. Operational comparisons can be found on the Pump Selector at www.sequencepumps.com. In addition, the redundancy of double-pump installations provide biological security for filters if one pump were to fail. The PumPaq is offered in configurations designed to meet a wide range of requirements:

Stand Alone - Units are purchased separate from pumps and assembled onsite

Complete - Shipped with high and low-speed pumps mounted

Automated - Custom built to a specified performance with pumps, variable frequency drives, and timers



Flow At Total Dynamic Head

Model	Max Flow GPH	Max Head Feet	Max Power Watts	Max Current Amps	Flow	Flow At Total Dynamic Head					Voltage	Motor Enclosure
						10'	20'	30'	40'	50'		
11000PWR72-PQ	15600	73	3740	N/A	GPM	250	230	210	185	154	230	TEFC
					GPH	15000	13800	12600	11100	9240		

Sustainable, Efficient

© 2009 SEQUENCE PUMPS A DIVISION OF MDM INC.



SEQUENCE *PumPac 11000PWR72-PQ*

