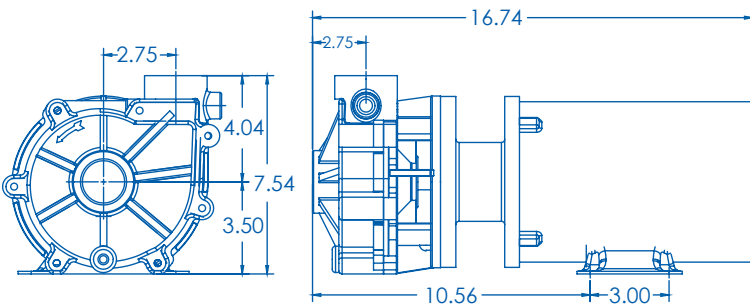


SEQUENCE® Sun Pump 1000-24 V

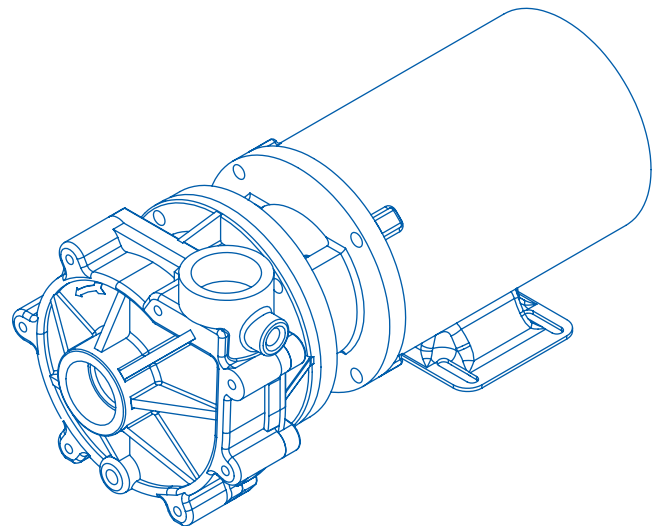


■ Sun Pump Model 24VDC5-1000

The Sun Pump 1000 series are supplied with 4-pole/24 Volt motors. There are four different impeller options to choose from, ranging from max flow rates up to 5800 GPH, to max shut-off head of 27 feet. **Please Note: Solar panel and battery system not included.**



*Dimensions and illustrations are approximate and for reference only



Flow At Total Dynamic Head

Model	Max Flow GPH	Max Head Feet	Max Power Watts	Max Current Amps	Flow					Voltage	Motor Enclosure	
					4'	8'	12'	16'	20'			
24VDC5-1000	4900	27	230	9.6	GPM	68	55	41	29	18	24 VDC	TENV
					GPH	4200	3540	2460	1740	1080		

Sustainable, Efficient

© 2009 SEQUENCE PUMPS A DIVISION OF MDM INC.



 SEQUENCE 24VDC5-1000 (Low-Speed)

