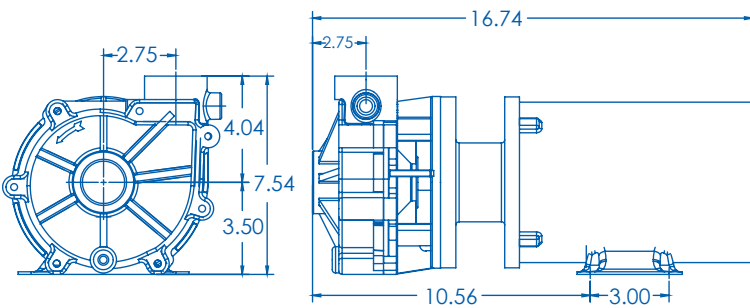


# SEQUENCE® Sun Pump 1000-24 V

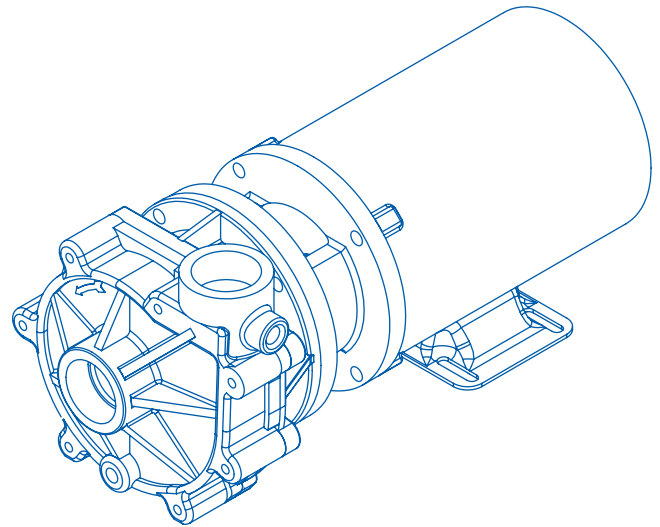


## ■ Sun Pump Model 24VDC6-1000

The Sun Pump 1000 series are supplied with 4-pole/24 Volt motors. There are four different impeller options to choose from, ranging from max flow rates up to 5800 GPH, to max shut-off head of 27 feet. **Please Note: Solar panel and battery system not included.**



\*Dimensions and illustrations are approximate and for reference only



Flow At Total Dynamic Head

Model	Max Flow GPH	Max Head Feet	Max Power Watts	Max Current Amps	Flow At Total Dynamic Head					Voltage	Motor Enclosure	
					Flow	4'	8'	12'	16'			20'
24VDC6-1000	5200	27	241	10	GPM	78	64	50	36	23	24 VDC	TENV
					GPH	4680	3840	3000	2160	1380		

**Sustainable, Efficient**

© 2009 SEQUENCE PUMPS A DIVISION OF MDM INC.



 SEQUENCE 24VDC6-1000 (Low-Speed)

