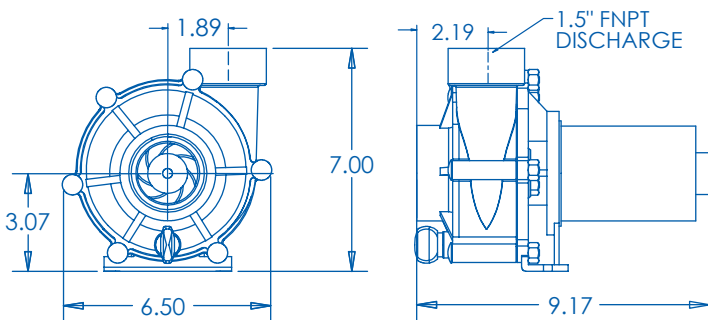


SEQUENCE® Sun Pump 750-24 V

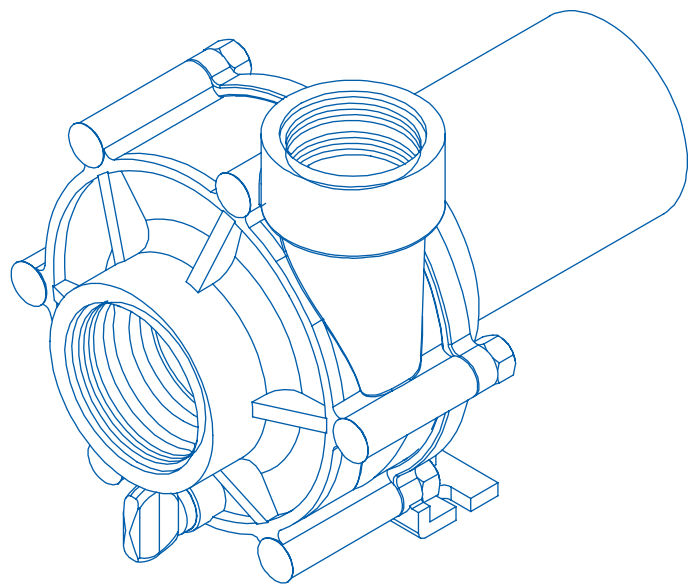


■ Sun Pump Model 24VDC8-750

The Sun Pump 750 series are supplied with 4-pole/12 & 24 Volt motors. There are 3 different impeller options in 12 volt motor configurations, and 2 different impeller options in 24 volt motor configurations ranging from max flow rates up to 3063 GPH, to max shut off head of 7.3 feet. **Please Note: Solar panel and battery system not included.**



*Dimensions and illustrations are approximate and for reference only



Flow At Total Dynamic Head

Model	Max Flow GPH	Max Head Feet	Max Power Watts	Max Current Amps	Flow At Total Dynamic Head				Voltage	Motor Enclosure	
					Flow	2'	4'	6'			8'
24VDC8-750	2910	8.4	70	2.9	GPM	40	31	19	5	24 VDC	TENV
					GPH	2400	1860	1140	300		

Sustainable, Efficient

© 2009 SEQUENCE PUMPS A DIVISION OF MDM INC.



SEQUENCE 24VDC8-750 (Low-Speed)

