

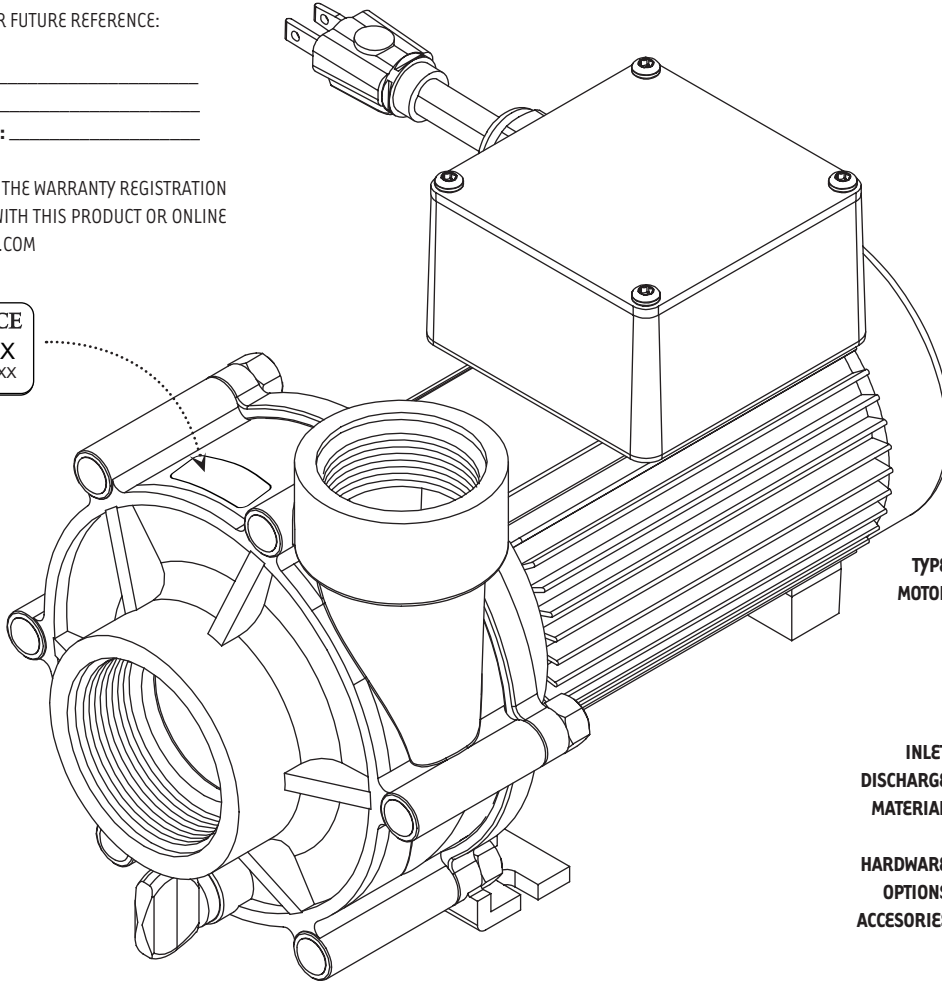
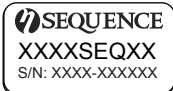
SEQUENCE[®] 750

INSTALLATION AND SERVICE MANUAL

PLEASE FILL IN FOR FUTURE REFERENCE:

MODEL: _____
 SERIAL NUMBER: _____
 DATE PURCHASED: _____

* PLEASE FILL OUT THE WARRANTY REGISTRATION CARD INCLUDED WITH THIS PRODUCT OR ONLINE AT: WWW.MDMINC.COM



TYPE: STRAIGHT CENTRIFUGAL
MOTOR: INDUSTRIAL DUTY 1/8 HP, 1 PHASE, TEFC, 1550 RPM, 115 VAC MOTOR, 8 FT 3-PRONGED CORD

INLET: 2" FNPT
DISCHARGE: 1-1/2" FNPT
MATERIAL: 40% GLASS FILLED POLYPROPYLENE WITH NORYL IMPELLER
HARDWARE: STAINLESS STEEL
OPTIONS: SALTWATER SERVICE
ACCESORIES: 90 CUBIC INCH STRAINER BASKETS (1.5" & 2"), SWING CHECK VALVES (1.5", 2", 3")

Model	3600SEQ12	4200SEQ12
INLET	2"	2"
DISCHARGE	1.5"	1.5"
MAX FLOW (gph)	3600	4200
MAX HEAD (feet)	12'	12'
MAX POWER (watts)	142	154
MAX CURRENT (amps)	1.25	1.39
@(volts)	115	115
MOTOR HP	1/8	1/8
MOTOR ENCLOSURE	TEFC	TEFC
IMPELLER	8	9

WARNING: Please read completely before you install or operate your new pump! This is an external "out-of-pond" pump! It is NOT submersible! Do NOT allow this pump to become submerged! Never run dry! Max. case pressure.- 25 PSI!



Made in the USA

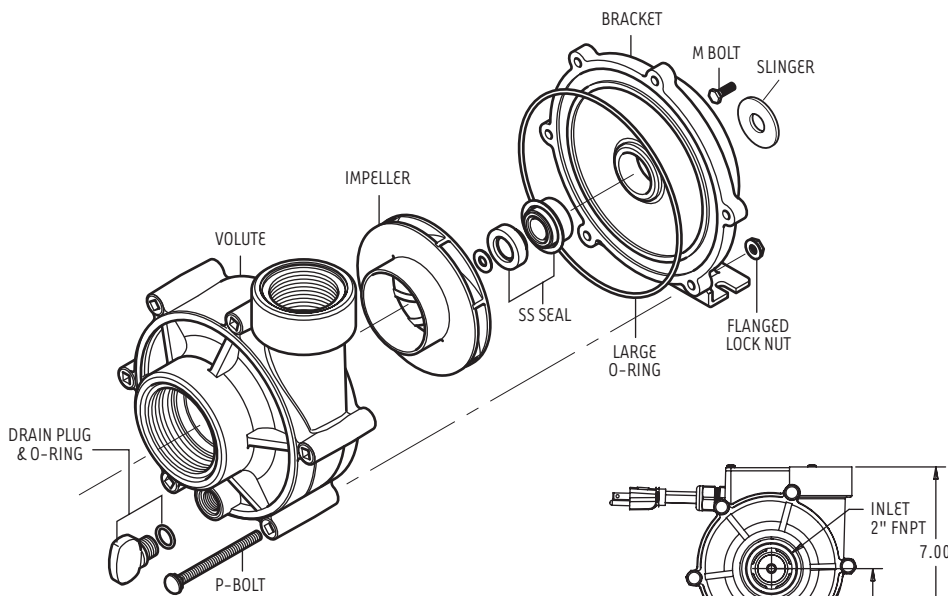
Efficiency and Longevity.

© 2017 MDM INC.

SEQUENCE® 750

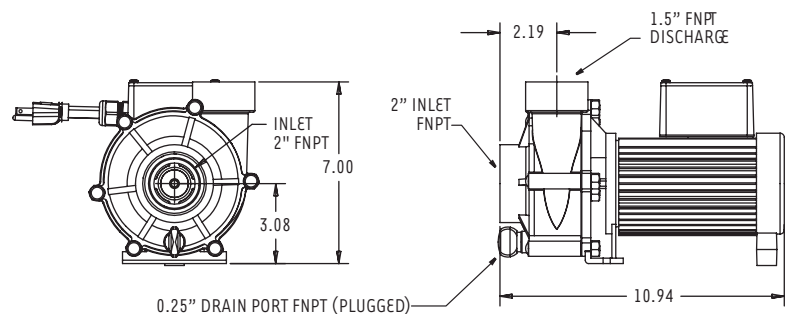
PUMP END ASSEMBLY

1. Inspect all pump parts (O-ring, O-ring groove, impeller hub ID, motor shaft, etc.) and clean if necessary.
2. Apply sealant to the bracket bore ID wall and around the seal case – follow sealant mfg. instructions. We recommend using Gasgacinch®. Silicone sealant can also be used.
3. Press the carbon graphite seal into the bracket while taking care not to touch or damage the carbon graphite face. Never touch or apply pressure to the carbon graphite seal face!
4. Screw four M-Bolts five complete turns into the threaded holes located on the motor face.
5. Mount the bracket to the motor by aligning the key holes over each bolt head, then rotate clockwise which will position the small key hole slot under each bolt head. Tighten each bolt with a wrench to secure the bracket to the motor (8-25 lb. in.).
6. Carefully, lubricate the seal seat elastomer OD and impeller hub ID with water. Press the seal seat into the impeller hub making certain that the ceramic is in evenly – the sealing surface should be parallel with the impeller hub.
7. Apply CLEAN water to the carbon-graphite and seal seat sealing surfaces. Do not use silicon lubricants or grease!
8. Lock the shaft by placing a screwdriver blade into the shaft slot at the fan end of the motor. Thread the impeller onto the motor shaft (Insure that the small impeller washer is in place on the impeller). Thread until the washer securely contacts the shaft shoulder.
9. Seat the large O-ring into the bracket O-ring groove.
10. Assemble the volute onto the bracket with six P-Bolts (10-24 x 2 3/4" carriage bolts) and six flanged lock nuts. Tighten in a cross pattern (30 lb. in.).
11. Install the drain plug and O-ring, into the volute drain hole.
12. Before operating the Sequence® 750, allow a proper cure time for the sealant used in step 2.



DESCRIPTION	SEQUENCE® P/N
DRAIN PLUG	1000.110
O-RING, DRAIN PLUG	E014B70
VOLUTE	750.070
LARGE O-RING	750.061
IMPELLER	750.05_*
SS SEAL	750.0414
BRACKET	750.030
HARDWARE KIT	750.502
SLINGER	750.010

Note: These part numbers are only for standard models within the Sequence® 750 series. *750.05_* Reference page one for Impeller number (5,8,9).



DISASSEMBLY

1. Shut off power to the motor before servicing any pump!
2. Unplug the power cord.
3. Disassemble the volute from the bracket – six P-Bolts and six flanged lock nuts. The volute may remain attached to the plumbing to help simplify re-installation.
4. Lock the shaft by placing a screwdriver blade into the shaft slot at the fan end of the motor. Unthread the impeller from the motor shaft – Take care not to misplace the small metal impeller washer.
5. Remove the ceramic, with rubber boot, from the impeller hub (if you are replacing the seal).
6. Loosen the four M-Bolts attaching the bracket to the motor. Rotate the bracket counter-clock wise until the screw heads are located in the large key hole slots. Lift off the bracket from the motor.
7. Remove the carbon-graphite seal assembly from the bracket by pressing it out from the motor-side of the bracket. Do not pry it out with a screwdriver from the pump cavity-side of the bracket (if you are replacing the seal)!



Made in the USA

Efficiency and Longevity.

© 2017 MDM INC.

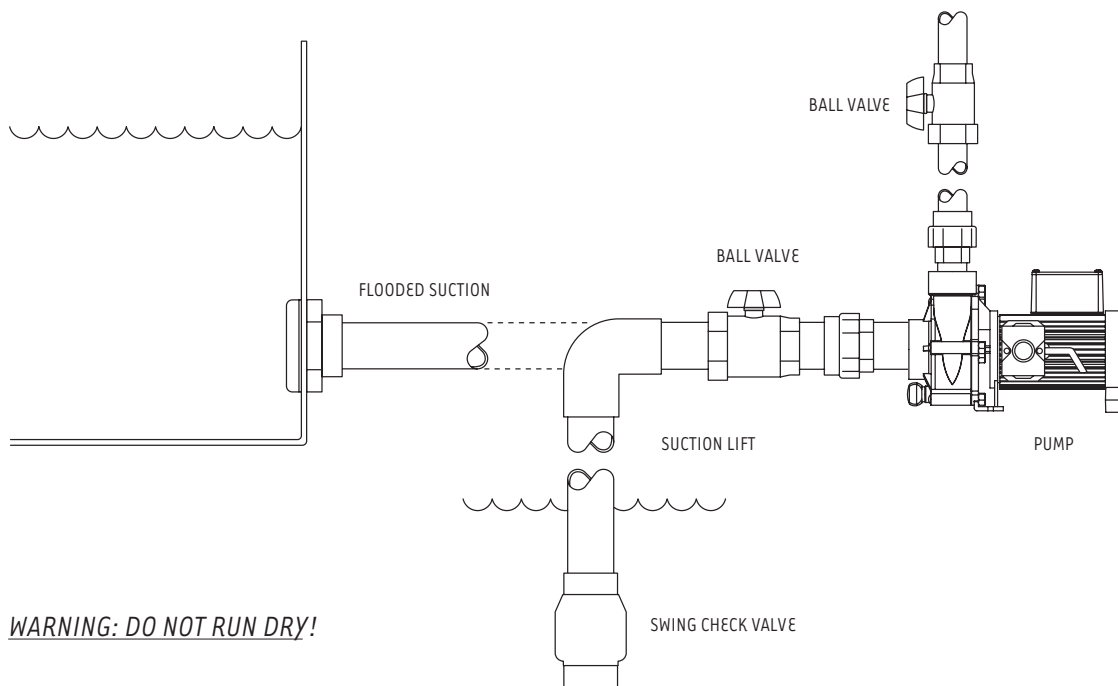
SEQUENCE[®] 750

We congratulate you on your choice of the Sequence[®] 750 centrifugal pump! Its leading edge design provides you with high output at a minimal operating cost. It is carefully constructed to give you long term, reliable service. To insure proper performance, we urge you to carefully follow the instructions in this manual. If you have any questions, please call your supplier for assistance.

INSTALLATION

Please read carefully! When properly installed, the Sequence[®] 750 will provide dependable, trouble-free service.

1. Do not submerge the unit in water - it is not a submersible pump. Do not allow the pump to become submerged during transient periods, such as heavy rain, run-off, etc.
2. Locate the pump as near the water source as possible. A flooded suction is preferred.
3. The pump is not self-priming. Therefore, if the fluid level is below the pump, a swing check valve must be installed below water level. The pump and inlet line must be primed prior to start up. Do not run pump dry! For non-flooded installations, a strainer basket and check valve are recommended.
4. Mount the motor base to a secure, immobile foundation.
5. Use only plastic fittings on both the inlet and discharge ports. Seal the inlet & discharge fittings with Teflon[™] pipe dope. These fittings should be self-supported and in neutral alignment with each port (i.e., Fittings must not be forced into port alignment which may cause premature line failure or damage to the pump volute).
6. Never restrict the inlet! Keep both inlet and discharge lines as free of elbows and valves as possible. Always use pipe of adequate diameter. This will reduce friction losses and maximize output. Never use an inlet line of smaller diameter than the discharge line. Minimize the suction lift.
7. For additional plumbing tips, review MDM's website: www.mdminc.com for pond plumbing and pump installation hints.



WARNING: DO NOT RUN DRY!



WARNING: ALWAYS SHUT OFF ELECTRICAL POWER BEFORE INSTALLATION AND / OR SERVICING THIS PUMP! ALL ELECTRICAL WIRING SHOULD MEET STATE AND LOCAL ORDINANCES. NOTE: THE PUMP MOTOR IS DESIGNED FOR 115 VAC 60HZ POWER ONLY! WARNING: SHUT OFF ELECTRICAL POWER BEFORE INSTALLATION AND / OR SERVICING THIS PUMP!

ELECTRICAL HOOK-UP

CAREFULLY, EXAMINE THE POWER CORD BEFORE USE. DO NOT USE THIS POWER CORD IF THERE IS ANY VISIBLE DAMAGE. DO NOT USE THIS POWER CORD IN WATER OR IF THE MOTOR OR ELECTRICAL RECEPTACLE IS IN CONTACT WITH ANY STANDING WATER! THIS POWER CORD SHOULD ONLY BE PLUGGED INTO A PROPERLY INSTALLED 115 VAC GFI RECEPTACLE! ALWAYS TEST CYCLE A GFI RECEPTACLE TO DETERMINE ITS CONDITION BEFORE USE!



Made in the USA

Efficiency and Longevity.

© 2017 MDM INC.

SEQUENCE[®] 750

MAINTENANCE

Lubrication

Motor – Permanently Lubricated ball bearings – no service required.
 Rotary Seal – Requires no lubrication after assembly.

WARNING: EYE PROTECTION IS STRONGLY RECOMMENDED

**The pump must be drained before servicing or if stored below freezing temperatures. Periodic replacement of seals may be required due to normal carbon wear.*

Symptom	Problem	Resolution
No Flow	Insufficient Prime	Prime system with water and purge all air from suction piping.
		Install check valve.
	Insufficient Power	Verify power supply and connection from panel to pump.
		Verify proper voltage. Some models are dual voltage (115/230).
	Flow Restriction	Ensure valves are open.
		Ensure plumbing is clear, including suction strainers, check valves, etc.
		Verify check valve orientation and direction of permitted flow.
Air leak	Clean out leaves or other debris from basket strainer (if applicable).	
Air leak	Fix air leaks at fittings, connections, strainer basket etc. This typically occurs on the intake side.	
System Incompatibility	Verify hydraulic compatibility: i.e. pump & pipe are sized for the system.	
Low Flow	Air leak	Fix air leaks at fittings, connections, strainer basket etc. This typically occurs on the intake side.
	System Incompatibility	Verify hydraulic compatibility: i.e. pump & pipe are sized for the system.
	Insufficient Power	Verify power supply and connection from panel to pump.
		Verify proper voltage. Some models are dual voltage (115/230).
	Flow Restriction	Ensure valves are open.
		Ensure plumbing is clear, including suction strainers, check valves, etc.
		Clean out leaves or other debris from basket strainer (if applicable).
	Insufficient Prime	Prime system with water and purge all air from suction piping.
	Cavitation	Verify airtight plumbing on the suction plumbing especially fittings!
Clean out leaves or other debris from basket strainer (if applicable).		
Increase pipe size where possible.		
Decrease suction pipe length, reduce the number of elbows, etc.		
Sporadic Operation	Insufficient Power	Verify hydraulic compatibility: i.e. pump and pipe are sized for the system.
		Verify power supply and connection from panel to pump.
Sporadic Operation	Poor Ventilation	Verify proper voltage. Some models are dual voltage (115/230).
		Ensure adequate airflow over motor to prevent overheating.
Excessive Noise	Cavitation	Verify airtight plumbing on the suction plumbing especially fittings!
		Clean out leaves or other debris from basket strainer (if applicable).
		Increase pipe size where possible.
		Decrease suction pipe length, reduce the number of elbows, etc.
	Insufficient Power	Verify hydraulic compatibility: i.e. pump and pipe are sized for the system.
		Verify power supply and connection from panel to pump.
	Flow Restriction	Verify proper voltage. Some models are dual voltage (115/230).
		Ensure valves are open.
		Ensure plumbing is clear, including suction strainers, check valves, etc.
Flow Restriction	Flow Restriction	Verify check valve orientation and direction of permitted flow.



MDM INCORPORATED
 3345 N. Cascade Ave • Colorado Springs, CO • 80907
 Toll Free Phone (800) 447-8342 • Fax (866) 425-1346
www.mdminc.com • info@mdminc.com

Gasgacinch[®] is a registered trademark of Porter Manufacturing. Noryl[®] is a registered trademark of the General Electric Company. Teflon[®] is a registered trademark of DuPont Company. Sequence[®] is a registered trademark of MDM Incorporated. Compilation Installation Manual 2017.indd Adobe Indesign CC 03-28-17